

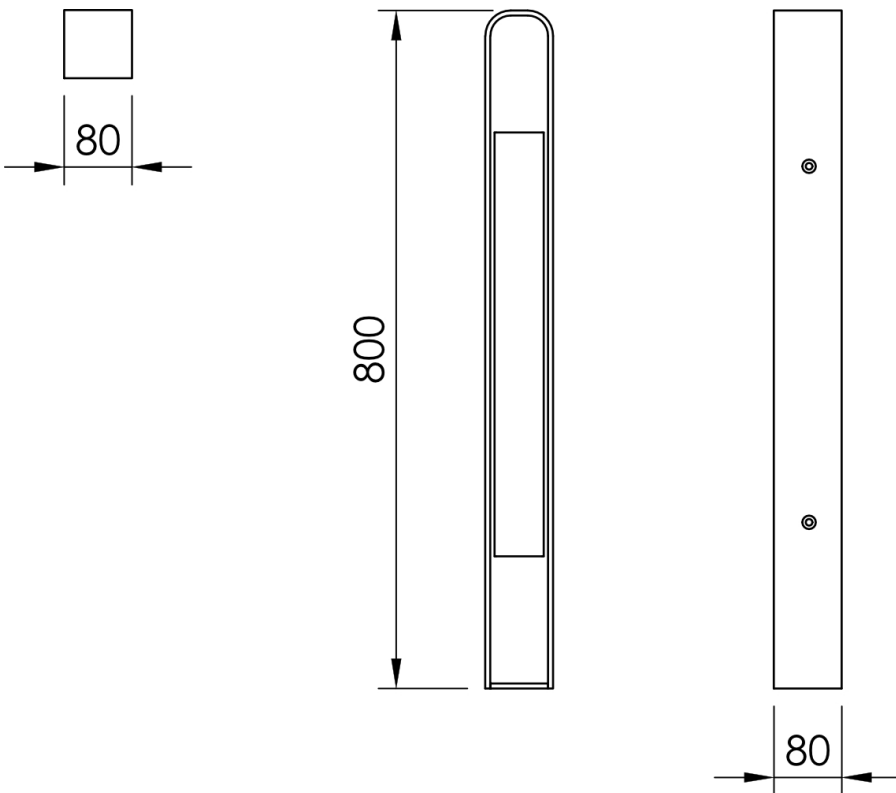
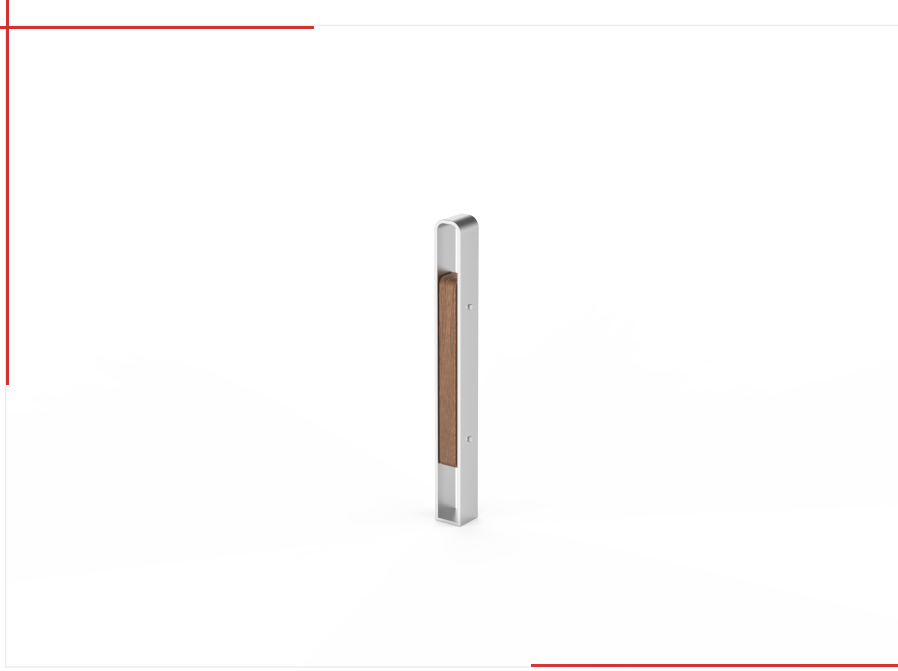
FULCO

Bollard | **OPO203**

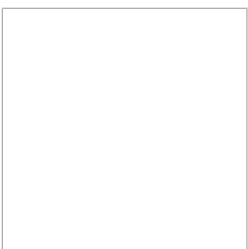
From collection

The Pole collection is characterized by a minimalist form, high-quality craftsmanship, and the durability required for urban environments.

OPO203 is a steel bollard in the form of an openwork rectangular prism with a rounded top section, filled with a decorative wooden slat.



MATERIALS



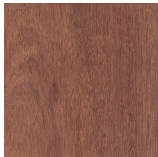
FULCO

Bollard | **OPO203**

From collection



SAPELI



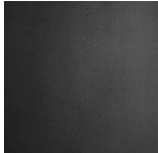
IROKO



ASH



POWDER
COATED STEEL



STAINLESS
STEEL



www.fulcosystem.com

contact@fulco.pl

phone no.: +48 32 305 05 80