

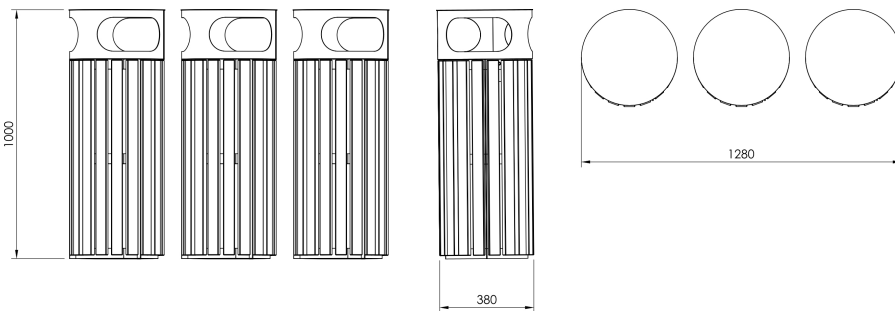


The Wave collection is characterized by the classic aesthetics of traditional park furniture, allowing it to blend seamlessly into both new recreational spaces and historic urban areas.

The KWA932 model is a waste segregation unit consisting of three bins with rain canopies, finished with wooden slats.

The colour scheme of each bin complies with the waste segregation standard.

The bin is equipped with a 55-litre galvanized steel liner and system locks.



MATERIALS

