

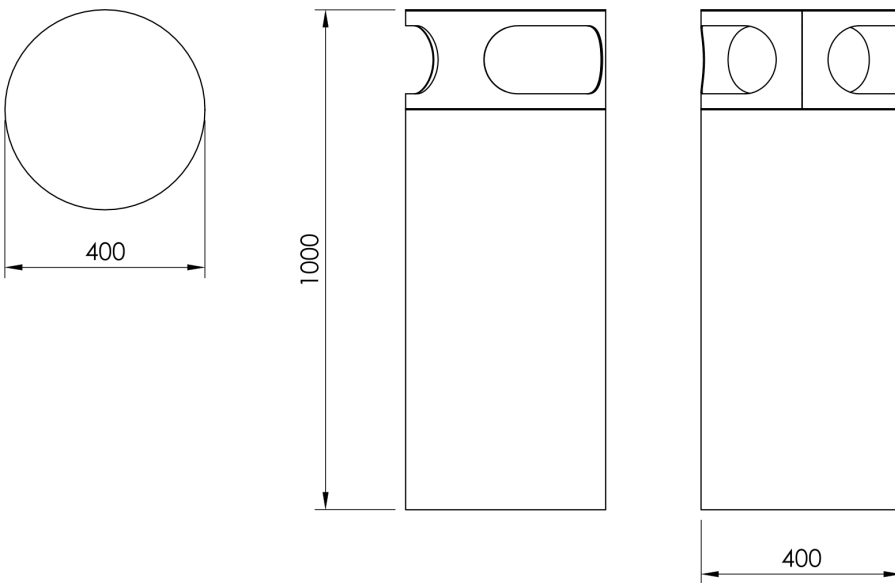
From collection **WAVE**



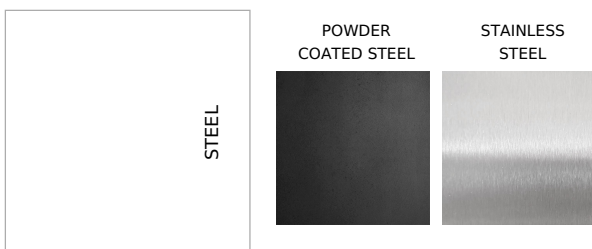
The Wave collection is characterized by the classic aesthetics of traditional park furniture, allowing it to blend seamlessly into both new recreational spaces and historic urban areas.

The KWA020 model is a waste bin with a rain canopy, finished in lacquered steel sheet.

The bin is equipped with a galvanized steel liner with a capacity of 55 litres and a system lock.



MATERIALS



www.fulcosystem.com

contact@fulco.pl

phone no.: +48 32 305 05 80